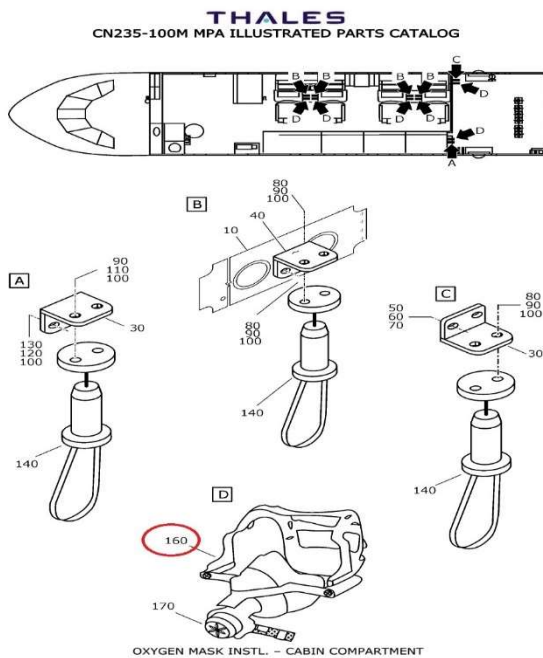


DOSYA NO (FILE NUMBER) :23-G91
SIRA NO (ITEM NUMBER) :2
NIIN : 013287033
MALZEME ADI (MATERIAL NAME) : MASK,OXYGEN
KULLANILDIĐI SİSTEM (SYSTEM USED) : P-235 UÇAKLARINDA UÇUŞ EKİBİ
TARAFINDAN KULLANILAN OKSİJEN
MASKELERİDİR. (THESE ARE OXYGEN
MASKS USED BY THE FLIGHT CREW ON P-235
AIRCRAFT.)



35-32-10

Fig. 01
Pag. 0
Jun. 01/13

THALES
CN235-100M MPA ILLUSTRATED PARTS CATALOG

FIG. ITEM	PART NUMBER	DESCRIPTION	EFFECT	QTY
01		1234567 		
-001		OXYGEN MASK INSTL. - CABIN COMPARTMENT		RF
010	3MV72052-0303	UPPER SUPPORT (RIVETED ITEM)		4
030	3MV72040-0103	,ANGLE		2
040	3MV72052-0605	,ANGLE		4
050	NAS1801-3-9	,SCREW * SEE: IC-P/N CROSS REF. LIST. SUP		2 R
060	MS21042-3	,NUT		2
070	NAS1149D0332K	,WASHER		2
080	NAS1801-08-7	,BOLT		20
090	MS21042-08	,NUT		22
100	NAS1149DN832K	,WASHER		24
110	NAS1801-08-6	,BOLT		2
120	NAS1801-08-10	,BOLT		2
130	MS21061L08	,NUT		2
140	118050.	,HANGER (02217) (REF. AC910020) * SEE: OPT-ALT CROSS REF. LIST		6 R
160	359-11612.	,MASK, SMOKE FULL FACE (53655) (SEE: CMM. 35-11-82) (REF. AC910033) * SEE: OPT-ALT CROSS REF. LIST		6 R
170	118056.	,COVER, MASK DUST (02217) (REF. AC910021)		6 R

-ITEM NOT ILLUSTRATED
MISSING ITEMS AND VARIANTS ARE NOT APPLICABLE

35-32-10

Fig. 01
Pag. 1
Sep. 01/13