

DOSYA NO (FILE NUMBER) :23-G89
SIRA NO (ITEM NUMBER) :15
NIIN : 015131634
MALZEME ADI (MATERIAL LIST) : DRIVE ASSEMBLY,ELEC
KULLANILDIĐI SİSTEM(SYSTEM USED) : AH-1W HELİKOPTERLERİNE AİT
MALZEMELERDİR (THESE ARE THE
MATERIALS OF AH-1W HELICOPTERS)

NAVAIR 01-H1AAC-2-12.4

004 00

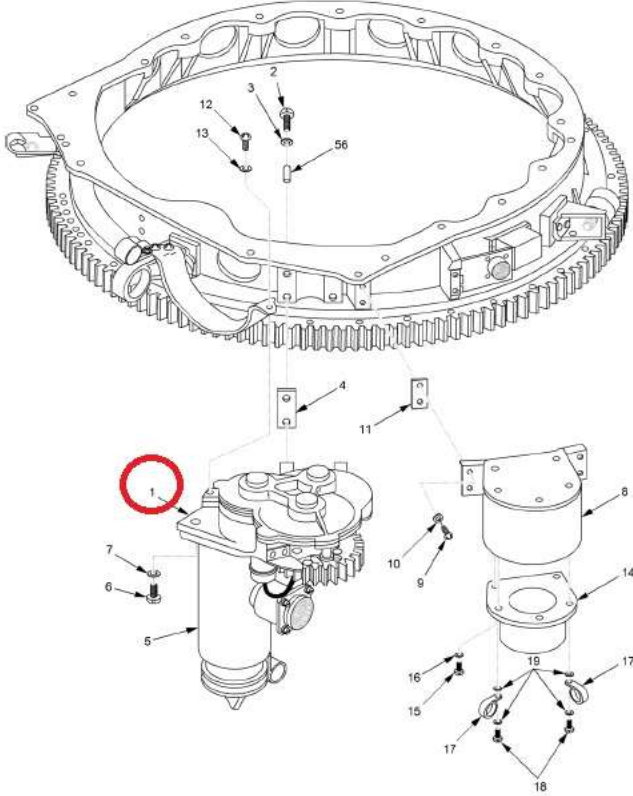


Figure 14. Turret Assembly Components (Sheet 1)

| Index No. | Part Number | Description | | | | | | | Units per Assy | Usable On Code | SM&R Code |
|----------------------------------|--------------|---|---|---|---|---|---|---|----------------|----------------|-----------|
| | | 1 | 2 | 3 | 4 | 5 | 6 | 7 | | | |
| TURRET ASSEMBLY COMPONENTS | | | | | | | | | | | |
| 1 | 218F457 | • TURRET ASSEMBLY /05606/ | | | | | | | REF | | PAOODP |
| | 175F639 | • • DRIVE ASSEMBLY, AZIMUTH /05606/ | | | | | | | 1 | | AHHHH |
| (ATTACHING PARTS) | | | | | | | | | | | |
| 2 | NAS1304-17H | • • BOLT | | | | | | | 4 | | PAOZZ |
| 2 | NAS6604H18 | • • BOLT /ALTERNATE/ | | | | | | | 4 | | PAOZZ |
| 3 | MS27163-10 | • • WASHER | | | | | | | 4 | | PAOZZ |
| 4 | 162B7922 | • • SHIM, AZIMUTH DRIVE /05606/ | | | | | | | AR | | PADZZ |
| --*-- | | | | | | | | | | | |
| 5 | B946CG587 | • • MOTOR, DRIVE, AZIMUTH /95270/ | | | | | | | 1 | | PAOZZ |
| (ATTACHING PARTS) | | | | | | | | | | | |
| 6 | NAS6604H5 | • • BOLT | | | | | | | 4 | | PAOZZ |
| 7 | MS27163-10 | • • WASHER | | | | | | | 4 | | PAOZZ |
| --*-- | | | | | | | | | | | |
| 8 | 117D2967 | • • RESOLVER ASSEMBLY, AZIMUTH | | | | | | | 1 | | AHHHH |
| (ATTACHING PARTS) | | | | | | | | | | | |
| 9 | AN35A | • • BOLT | | | | | | | 4 | | PAOZZ |
| 10 | MS27163-8 | • • WASHER | | | | | | | 4 | | PAOZZ |
| 11 | 135B6722 | • • SHIM, RESOLVER /05606/ | | | | | | | AR | | PADZZ |
| --*-- | | | | | | | | | | | |
| 12 | MS35206-245 | • • SCREW | | | | | | | 1 | | PAOZZ |
| 13 | MS27163-8 | • • WASHER | | | | | | | 1 | | PAOZZ |
| 14 | 139C7875 | • • COVER, BOTTOM, AZIMUTH RESOLVER /05606/ | | | | | | | 1 | | PAHEZZ |
| (ATTACHING PARTS) | | | | | | | | | | | |
| 15 | MS35206-243 | • • SCREW | | | | | | | 3 | | PAOZZ |
| 16 | MS27163-8 | • • WASHER | | | | | | | 3 | | PAOZZ |
| --*-- | | | | | | | | | | | |
| 17 | MS21919WDG11 | • • CLAMP | | | | | | | 2 | | PAOZZ |
| (ATTACHING PARTS) | | | | | | | | | | | |
| 18 | MS35206-246 | • • SCREW | | | | | | | 2 | | PAOZZ |
| 19 | MS27163-8 | • • WASHER | | | | | | | 4 | | PAOZZ |
| --*-- | | | | | | | | | | | |
| 20 | B946CG587 | • • MOTOR, DRIVE, ELEVATION /95270/ | | | | | | | 1 | | PAODDE |

Figure 14. Turret Assembly Components (Sheet 6)