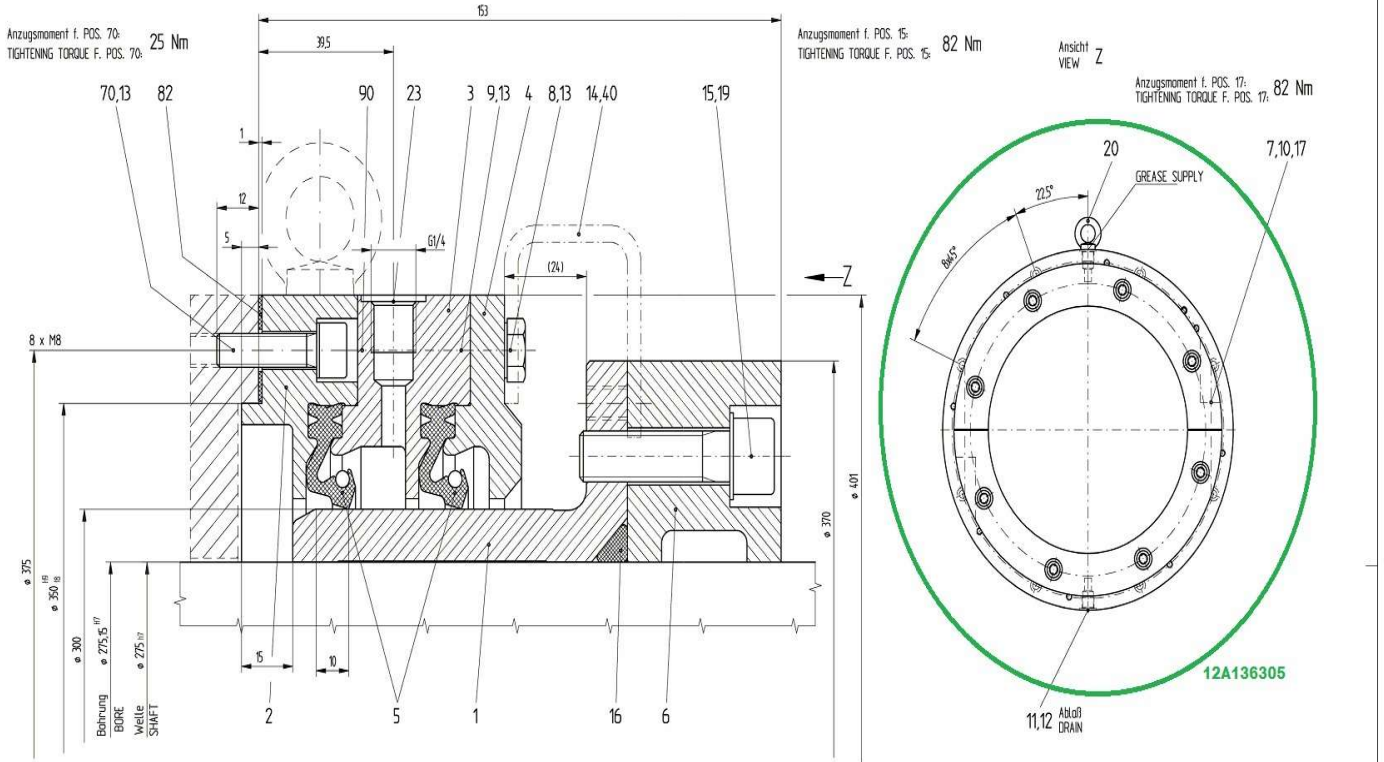


23-H28-00 ITEM 9

NIIN: 12A136305

KURTARMA GEMİLERİNDE, ŞAFT SİSTEMİ PALAMAR YATAK SİĞİLİ OLARAK KULLANILMAKTADIR.

The material used as journal bearing in shaft system in rescue vessels.



	Rolls-Royce		Date:	2012-09-19	Approved:	kk361
	Sheet:	of:	Drawing no.:	RRM200031865	Revision:	A
	1	3				

Nur zum Transport FOR TRANSPORT ONLY POS 14,20,40

300	H8	-0.002	-0.151
300	H9	-0.040	0
275.5	H7	-0.052	0
275	h7	0	-0.052
Passmaß	ab Abmaß	ent. Abmaß	

Material/SIZE	%	Gewicht/Kstanz	4,8 kg
SIMPLEX-COMPACT SEAL TYPE: S2 D			
Lagerabdichtung, Gr. 300			
BEARING SEAL, SIZE 300			
SAC: 3-658-0257-000.0			Stat. 0

Our records and data are subject to hull protection under the law. Unauthorized reproduction, complete or in extract form, as well as passing on of some or distorting its contents to third parties is strictly prohibited. For granted patents we reserve all rights under para 7 of the German patent law. Blohm+Voss Industries GmbH

Drawn	By:	Date:	Name:
	Barth	11.09.2012	Liebrmann
	Gepr.	11.09.2012	Grundt
	Mem		
	CHK	CAC/0292324	S.22
			Blohm+Voss Industries GmbH