

23-H13 ITEM 6

STOK NO: 014213261

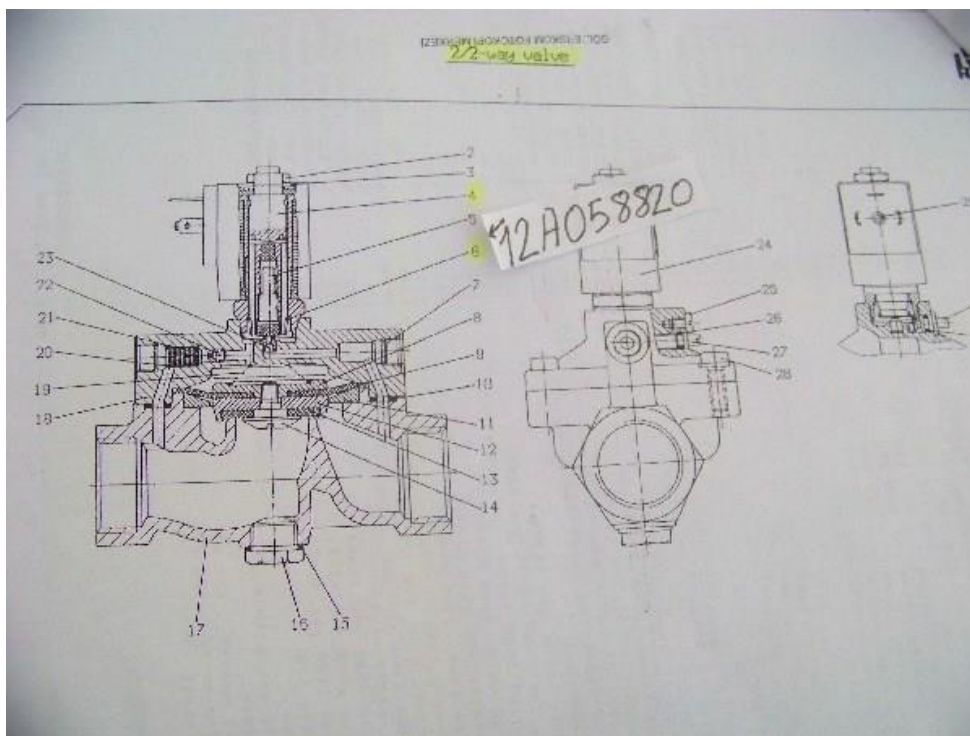
MALZEME ADI: ASSEMBLY,BEARING TU

Cihaz Adı	Cihaz Seri No
TURBOCHARGERGP	C25403
TURBOCHARGERGP	C25402
ENGINE DIESEL CATERPILLAR 6I3606TA	ISKELE-8RB00712
ENGINE DIESEL CATERPILLAR 6I3606TA	SANCAK-8RB00711

23-H13 ITEM 57

STOK NO: 12A058820

MALZEME ADI: SPRING



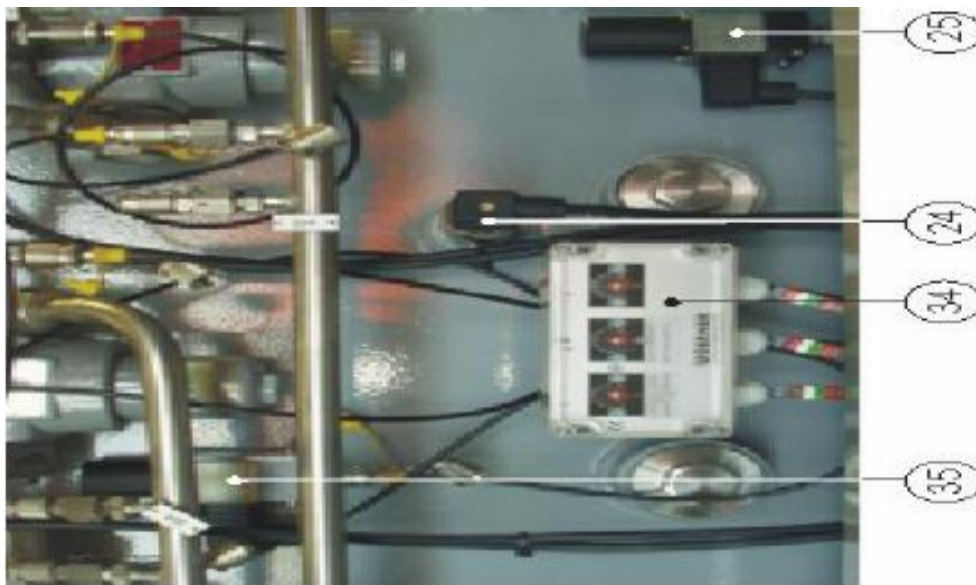
DESCRIPTION	KRAFTSTOFFVORLAGE FUEL OIL SYSTEM	022940-2411-008	DATE				
MANUFACTURER CODE	D1293						
IDENTIFICATION NO.	245-2120-10-05-05						
TN NO.							
REF. - FOR.	DESCRIPTION	PC	UNIT	QTY. - NO.	MANUF. - CODE	IDENT. - NO.	QTY.
	RECHENBEZ. NO.						
0220-002	... MUTTER		EA	1	D9404	1701906	X17
0220-003	... BEREING. WÄSSER ... FEDERSCHNITZE		EA	1	D9404	1589134	14
0220-004	... PLÄNDERE ORT DE ... PLÄNDERKENSCHUBUNG		EA	1	D9404	1474470	
0220-005	... PLÄNDERE KOMPLEKT ... PLÄNDER KOMPLEKT		EA	1	D9404	3290061 (1 A-025177) D9404 1628089 (1 A-01-0210)	
0220-006	... SPRING ... FEDER		EA	1	D9404	2601034	
0220-007	... LOCKING BOLT ... VERSCHLUSS-SCHRAUBE		EA	2	D9404	1507760	
0220-008	... VALVE PLATE ... VENTILTEILER		EA	3	D9404	1520442	
0220-009	... DIAPHRAGM ... MEMBRANE		EA	1	D9404	1504204	
0220-010	... O-RING ... O-RING		EA	2	D9404	1508925	
0220-011	... BACK-UP RING ... STÜTZRING		EA	1	D9404	1520431	
0220-012	... DIAPHRAGM DIK ... MEMBRANTEILER		EA	1	D9404	1504528	
0220-013	... GASKET ... DICHTUNG		EA	1	D9404	1500785	
0220-014	... SCREW ... SCHRAUBE		EA	1	D9404	1520607	
			EA	1	D9404	1500904	

12A058820

23-H13 ITEM 66

STOK NO: 14F009453

MALZEME ADI: TEMPERATURE SENSOR



part number	Nomenclature
08833718	●● TEMPERATURE SENSOR

23-H13 ITEM 67

STOK NO: 14F009454

MALZEME ADI: BLASDDER ACCUMULATOR









Einstellung nur in Richtung
Adjustment only in direction
0 → 90 (120)
max 250VAC 16A/220VDC 4A
IP65



KTR-B/3/V/300/T5/T5/T5
AB31-14/3-1A2A 3A - W



WOERNER
NTRALSCHMIERANLAGEN



